

# Safety Top Cap™

Safety Top Cap™ serves two purposes. First, its unique design provides protection against bodily injury by covering the exposed knuckles or barbs on top of a chain link fence. Second, it displays nicely as a decorative trim piece to compliment any galvanized or colored chain link fence system.

## FEATURES

**Fast & easy installation:** Simply “snap” over the top of the fence and lock to the wire mesh with steel hog-rings (included with each package) through the (3) three pre-drilled holes on each piece.

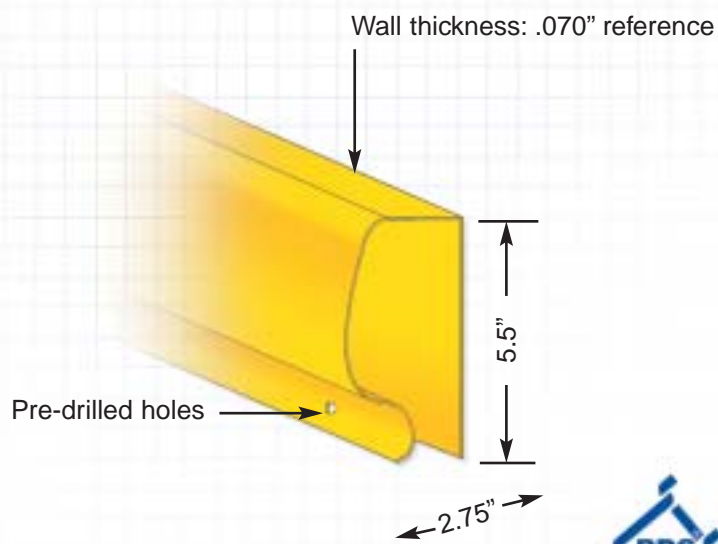
**Durability:** Manufactured using HDPE plastic with UV stabilizers. This product is designed to endure high impact and to resist the harmful effects of the sun and severe weather conditions for many years of continued use.

**Multiple uses:** Primarily used in our safety yellow color for baseball outfields. This product is also growing in popularity at athletic fields, parks, playgrounds and recreational facilities throughout the country.

**Security:** Resists vandalism by using the hog-rings to permanently attach the Safety Top Cap to the fence.

- Safety Yellow
- Royal Blue
- Green
- Red
- White
- Black
- Brown

\* Exact representation of slat colors in printing is difficult. Please refer to actual color samples for final matching.



## SIZE SPECS

Cap Height	Cap Width	Cap Length	Caps per Bag	Approx. Coverage per Bag	Hog Rings per Bag
5 1/2"	2 3/4"	8 feet	5 pieces	40 linear feet	15